

## HI20S77

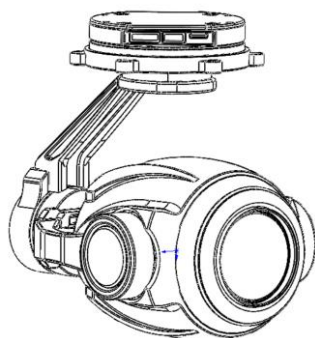
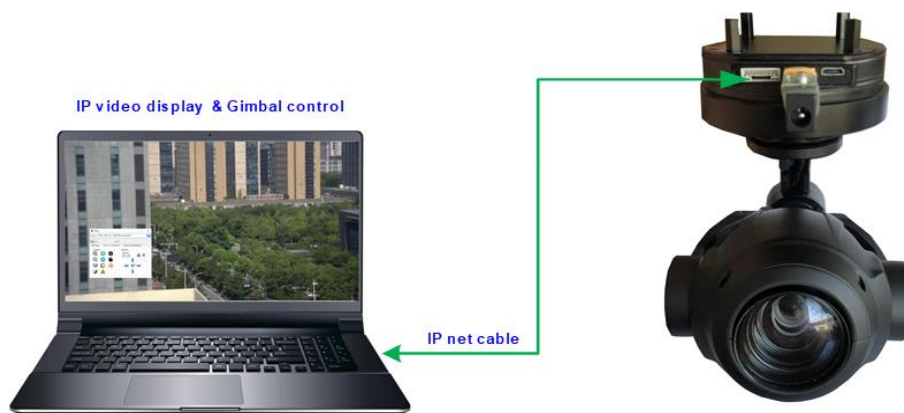
### 30 Optical Zoom Gimbal + 4K IP Network 3 Axis Gimbal

Hi20S77 is a UAV load system which integrate the 20x optical zoom camera 3-axis IP gimbal. With 4K RTSP video stream output and 4K TF card record. The ground software can display the real-time video, and control the gimbal direction & camera function. The gimbal use the FOC control mode. It is stable, light in weight, and low power consumption. The sensor is 12M pixel. And it output the 4K or 1080P HD video. Also 4K or 1080p local TF card storage. Network bidirectional control.

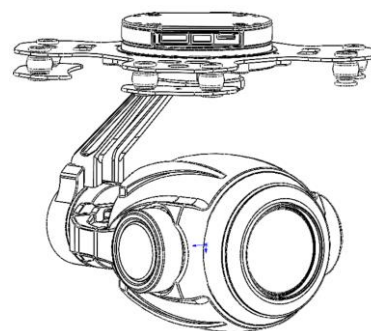
#### Advantages

- 20x optical zoom, TF record
- 4K video and 4K Record
- 3-axis stabilizer
- Low delay RTSP stream output
- IP net & Uart control
- Display and control by App

#### Components

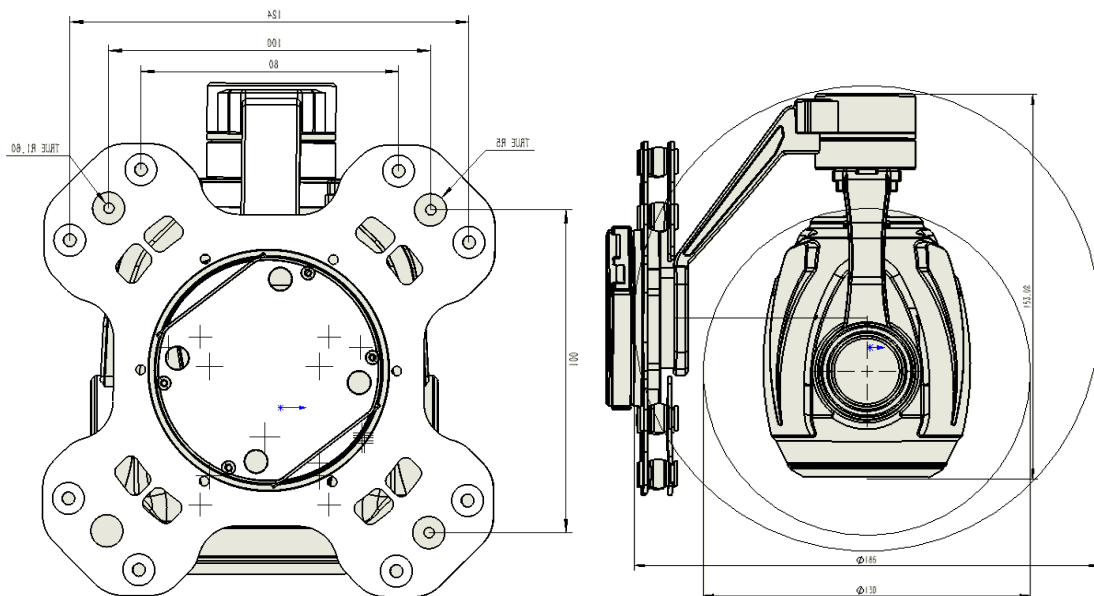


Shape without damping plate



Shape with damping plate

<b>HI20S77 4K IP Gimbal</b>		
<b>Voltage</b>		3S or 6S
<b>Power</b>		8W
<b>Technical Parameters</b>	<b>Roll Angle</b>	-85°~+85°
	<b>Pitch Angle</b>	-45°~+135°
	<b>Yaw Angle</b>	360° * N
	<b>Jitter Angle</b>	±0.02°
	<b>Horizontal Jitter Angle</b>	±0.03°
	<b>One-Click Restore</b>	One-click restore to the initial position
	<b>Adjustable Gimbal Speed</b>	Use low speed control at big zoom status for high precision display. Use fast speed control at small zoom status
<b>Daylight Sensor Parameters</b>	<b>CMOS Size</b>	1/2.3 12M Pixes CMOS sensor
	<b>Zoom</b>	20x HD optical zoom lens, f=6.7±10%~125±10%mm
	<b>Focus</b>	Focus in real time, less than 2 secs
	<b>Video Output</b>	IP Net 4K RTSP video, Local TF card 4K record
	<b>Field of Vision(FOV)</b>	D : WIDE 66.6° ±5% TELE 4.0° ±5% H : WIDE 59.6° ±5% TELE 3.5° ±5% V : WIDE 35.7° ±5% TELE 2.0° ±5%
	<b>Video mode</b>	4K 30fps/1080P 30fps
<b>Wireless video&amp;data(option)</b>	<b>Work frequence</b>	806MHZ-826MHZ
	<b>Wireless power &amp; distance</b>	25dBm 10KM
<b>Command mode</b>		IPNET or Uart command control
<b>Gimbal Size</b>		108mm×154mm×145mm
<b>Working Condition</b>		-10℃ to +45℃ / 20% to 80% RH
<b>Storage Environment</b>		-20℃ to +60℃ / 20% to 95% RH
<b>Weight</b>		700±10g



## Installation size

The distance between mounting holes is 100 mm \* 100 mm, and the size of mounting holes is 4 \* M2.5

## Connection



No	Part	Type	Define	Describe
1	8P port	power	GND	GND
2		power	5V	+5V output
3		signal	RXD4	UART4_Rx
4		signal	TXD4	UART4_Tx
5		signal	DB-	IP NET
6		signal	DB+	IP NET
7		signal	DA-	IP NET
8		signal	DA+	IP NET

\*Note: Device may change structure due to product update. Please connect to topotek company to get newest datasheet.